

INDOOR:

46" Vent Free Isokern With 9 X 4 Black Colored Fire Brick In A Herringbone Pattern.

30" Vent Free Natural Burner With Variable Flame Remote Control And 30" Gnarled Split Log Set.



OUTDOOR

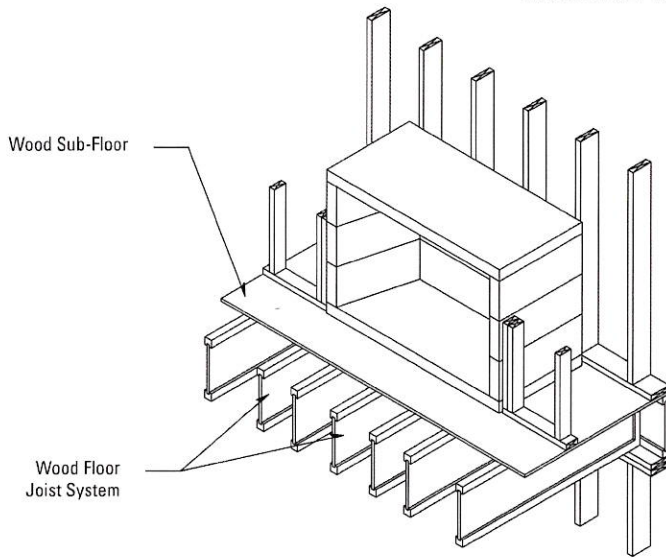
A 36" Natural Gas Vent Free Courtyard Outdoor Fireplace, Brown Herringbone Refractory Included.

High Definition Log Set, Wall Switch And Install.



Required Clearance to Combustibles & Rough Framing Dimensions

FIGURE 1



CLEARANCE TO COMBUSTIBLES

The Vent-Free Firebox may be installed at **“zero clearance”** to plywood sheathing and to un-insulated wood framing members at the unit bottom, sides, rear and top when used for enclosing any listed unvented gas-fired log set with maximum heat input ratings up to 40,000 BTU/hr. (Reference Intertek Testing Services Report No. 13001A-764.) **(Figure 1).**

However, when a Vent-Free Firebox is to be installed on carpeting, tile, or any combustible material other than wood flooring or concrete, the Vent-Free Firebox shall then be installed on a metal or wood panel extending the full width and depth of the Vent-Free Firebox.

NOTE: Keep all insulation material to a minimum of three inches (3”) away from the outside surfaces of the Vent-Free Firebox.

TYPICAL INSTALLATION FRAMING DIMENSIONS (Figure 2)

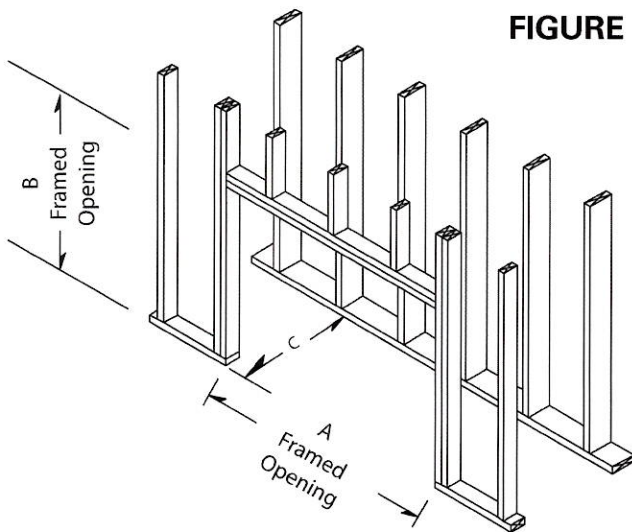
Vent-Free **Width - A** **Height - B** **Depth - C**

Model 36	43”	37 ½”	25 ¼”
Model 42	49”	37 ½”	25 ¼”
Model 46	53”	37 ½”	25 ¼”

NOTES:

- 1.** B includes the 3” thick base plate.
- 2.** “Raised hearth” requires additional rough opening height at **B** equal to the height of the raised hearth detail.

FIGURE 2



CORNER INSTALLATION FRAMING DIMENSIONS (Figure 3)

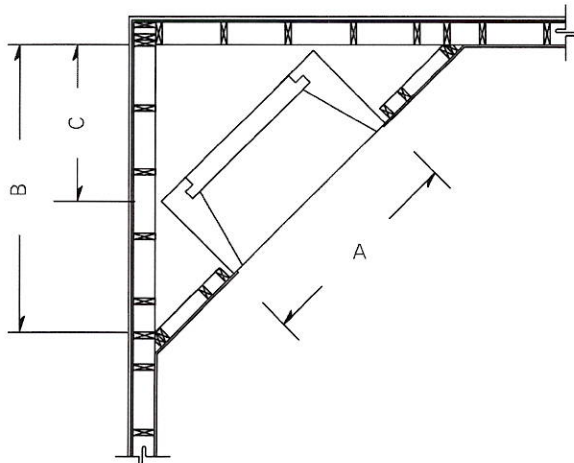
Vent-Free **A** **B** **C**

Model 36	43”	49 ¾”	32 ½”
Model 46	49”	52 ¾”	37”
Model 48	53”	54 ¾”	39 ½”

NOTES:

- 1.** B reflects the Vent-Free Series outside center of firebox base plate to inside corner of frame wall.
- 2.** C dimension reflects the distance from the corner of the firebox positioned 1 1/2” from frame wall to inside corner of frame wall.
- 3.** D dimension reflects the distance from the inside frame wall perpendicular to the firebox to the inside corner of the frame wall. (Based on 2” frame wall).

FIGURE 3



WE MAKE FIRE... BETTER.

Custom Luxury Fireplaces

Extracted from Iceland's Mt. Hekla volcano, Isokern brand products have been made from the cleanest, purest pumice for over 80 years. Our lightweight, insulating, masonry components cradle the raw power of fire in the safest, most energy-efficient material on earth. Totally customizable, Isokern allows architects and their clients to pursue their most inspired designs, while connecting with the natural beauty of fire.



Did You Know?

Our pumice ships directly from the Mount Hekla Volcano in Iceland to our state-of-the-art automated manufacturing facility in Chesapeake, Virginia.



Iceland



Chesapeake, VA

Earthcore's Ecosophy

Since 1989, Earthcore continues to create and deliver earth-friendly products utilizing volcanic stone from Iceland's Mt. Hekla. Our clean, pure pumice is free of volatile organic (inert) components and dates back to over 6000 years, which is relatively young compared to other volcanic materials extracted around the globe. This exclusive pumice is lightweight and refractive (meaning fire-resistant), making all our products highly insulating and affordable.

Our pumice is mined from vast lava fields and then transported to our factory in Virginia, where the Isokern brand fireplaces and chimneys are manufactured using an over 80-year-old Danish technology. Not only do Isokern fireplaces exceed EPA standards for wood and gas fuel burning, our Green Tech solution helps reduce greenhouse emissions by an astonishing 80%.

We are proud to be the leader in green fireplaces and a carbon-free company.

CONTENTS

About Isokern Fireplaces	2
Earthcore's Ecosophy	4
Our Mission	6
Innovation	8

ISOKERN FIREPLACES

The Standard	11
The Magnum	13
The Magnum+	15
The Maximus Linear	17
The Maximus	19
The Bvetto	21
The Vent-Free	23

CHIMNEY SYSTEMS

The DM54 Chimney	25
EcoSteel & EcoSteel+	27
Mechanical Venting	29
The EM40 Chimney	31

ENHANCEMENTS

Firebrick	33
Isoflames	35
Green Tech	36
Fire-Lite	37
Chimney Pots	39

OUTDOOR LIVING

Isopanel	40
Iso'ven	41
Outdoor Burner	42

Specifications	46
----------------------	----



Our Mission

For over thirty years and during these rapidly changing times, we at Earthcore pride our success on the use of material derived directly from Mother Nature, Isokern's Icelandic volcanic pumice stone. We continue to recognize our responsibility to protect the planet, minimize our impact on the environment, and improve global sustainability in every component we manufacture.

As a result, we assure all our customers that they are contributing to a carbon-neutral environment through the purchase and installation of all Isokern products.

Our novel innovations and advanced technologies assist in lowering our carbon footprint, from the electricity used in our state-of-the-art manufacturing process to our new innovation production laboratory.

So, take a moment to read through our 2021 catalogue and please keep in mind that every Isokern you purchase, you are directly contributing to a cleaner planet since we are recycling a product from Mother Nature.

Your safety and a clean global environment are our main priorities, which is why at Earthcore, "We make fire...better."

Carl R. Spadaro
Founder & CEO of Earthcore



**A Name Built on
Reliability for over**

30
Years

Since 1989, we have proudly provided exceptional products combined with unmatched customer service from our 9 solution centers and dedicated network of over 500 dealers.

INNOVATION

In 2019, we completed our new innovation production laboratory to begin manufacturing our patented modulated gas fuel delivery system. After many years of research, we now have the ability to produce cost-effective opportunities in decorative gas fire features that go well beyond what markets offer today. All of our new offerings are made using high quality stainless steel that appeal to consumers who demand products that last a lifetime. This lab enables us to create more synergy between our pumice products and new inventions.



**“Talent is a flame.
Genius is a fire.”**

- Bernard Williams



Modular Gas Delivery Systems

The first product born out of our innovation facility is our patented modulated gas fuel delivery system with quick connect technology. Offered under our Isoflames brand, we are able to build the longest linear UL listed burners on the market.





ISOKERN

ALL FUEL

Offers wood or gas burning solutions

STANDARD

Available Sizes: 36 • 42 • 46

As the first Isokern modular fireplace introduced in the United States, the modular construction of the Standard Series allows you to unleash your creative desires with a fireplace as unique as you are. Whether you choose wood burning, natural gas, or liquid propane, the Standard Series sets the standard. In an outdoor application, this fireplace can be finished with any veneer including brick, stone, stucco, or tile.



Applications

- Indoor
- Outdoor
- Wood Burning
- Natural Gas
- LP (*Liquid Propane*)
- Multi-Sided Availability
- DM54 Chimney
- Eco-Steel Chimney
- Custom Finish
- Fire-Lite Application - see page 35

Specifications - see page 46

Offers wood or gas burning solutions

MAGNUM

Available Sizes: 28 • 36 • 42 • 48 • 60 • 72

Looking for a larger, more dramatic opening fireplace? Look no further than the Isokern Magnum. This fireplace system is ideal for large custom homes, hotel lobbies and restaurants. Boasting opening heights of 38" tall and up to 72" wide, it will make a statement in any room.



Applications

- Indoor
- Outdoor
- Wood Burning
- Natural Gas
- LP (*Liquid Propane*)
- Multi-Sided Availability
- DM54 Chimney
- Eco-Steel Chimney
- Custom Finish
- Fire-Lite Application - see page 35

Specifications - see page 46





ISOKERN

ALL FUEL

Offers wood or gas burning solutions

MAGNUM+

Available Sizes: 84 • 96 • 108 • 120

When you're designing a space that's larger than life, you need a fireplace to match it! **NEW** from Isokern is our ground-breaking Magnum+ Fireplace.

Boasting widths up to 10 feet and finished opening heights of 44", this stately fireplace is the largest UL listed fireplace on the market. Earthcore is always looking to expand the boundaries of fire, and with the Magnum+, fire has no boundaries.



Applications

- Indoor
- Outdoor
- Wood Burning
- Natural Gas
- LP (*Liquid Propane*)
- Eco-Steel Chimney
- Custom Finish

Specifications - see page 47



MAXIMUS LINEAR

Available Sizes: 48 • 72 • 96 • 120

The Maximus Linear Series is contemporary sophistication with a sleek design that can be customized to fit any aesthetic. Choose an open or glass front firebox and finish it off with your choice of colored glass media or log set in driftwood finish. Isokern Linear Fireplace systems come with a Remote-Controlled Electronic Ignition System and Mechanical Exhaust Fan. The glass front unit does not use conditioned air from the room, complying with air quality control standards.



Isoflames Linear Burner

Each Isokern Maximus Linear comes standard with the Isoflames Linear Burner System. This patented quick connect system is a modular burner system that is easily installed and comes in sizes from 24" up to 96". It can also be used in any fireplace to give a more modern look to the traditional fireplace.



Applications

- Indoor
- Natural Gas
- LP (*Liquid Propane*)
- Custom Finish
- Combustible Floor Installation
- Zero Clearance to Open Front
- 12" B-Vent Chimney
- Electronic Ignition System
- Mechanical Exhaust Fan

Specifications - see page 49

Fireglass Options



Log Set Options



Coastal Oak



Engelmann Oak



Laurel Oak

ISOKERN DIRECT VENT

Sealed glass front

MAXIMUS

Available Sizes: 46 • 48

TRADITIONAL

The Isokern MAXIMUS Series is the first ever masonry direct vent fireplace. It offers an expansive ceramic glass opening with Invisi-Barrier and Triple Stadium Burner for exceptional appearance and flame presentation. This glass front unit does not use conditioned air from the room, complying with air quality control standards. With an array of options, the MAXIMUS provides endless possibilities for making your space warm and inviting.



Applications

- Indoor
- Natural Gas
- LP (*Liquid Propane*)
- Direct Vent Chimney
- Custom Finish
- Combustible Floor Installation

Specifications - see page 47



BVETTO

Available Sizes: 36 • 46

Opening heights are sure to make a true statement in any living space with Isokern's Bvetto Series. As the first and only field assembled gas appliance fireplace, the Isokern Bvetto Series offers the largest available opening heights in the industry of 52". With our proprietary quick fire ignition system, the Isokern Bvetto requires our exclusive Isoflames Stadium Burner and log set.

**Special Order Log Set*



Western Driftwood *



Arizona Weathered Oak



Quaking Aspen *



Arizona Weathered Oak Charred



Applications

- Indoor
- Natural Gas
- LP (Liquid Propane)
- B-Vent Chimney
- Custom Finish
- Combustible Floor Installation

Specifications - see page 48



VENT-FREE

Available Sizes: 36 • 42 • 46

A gas fireplace blends seamlessly into your home's footprint with the Isokern Vent-Free Series. This series offers a variety of opening heights and is fully customizable to fit any design plan. With its large, finished openings and see-thru availability, the Vent-Free Series is the perfect heating solution for any multi-family home, new home, remodeling project or outdoor concept.



Applications

- Indoor
- Outdoor
- Natural Gas
- LP (*Liquid Propane*)
- Multi-Sided Availability
- Unvented
- Custom Finish
- Combustible Floor Installation

Specifications - see page 48

For Isokern Standard & Magnum Fireplaces

DM54

Dual Module Chimney System

The DM54 Chimney System is a zero clearance system made with our Icelandic pumice, a natural insulator, separating our system from all other chimneys. The insulating properties of pumice allow the flue gases in the chimney to quickly reach their optimum temperature, enabling the heating appliance to perform efficiently. It also keeps the chimney warmer longer as the heat output of the fireplace decreases. This not only aids performance, but reduces the likelihood of condensation and soot build-up.

Our component based system is made up of inner and outer blocks that are installed with staggered joints for safety and stability. The double layer of pumice blocks, separated by an air gap, maximizes the chimney performance. This system is the only masonry chimney system tested and listed to UL 103HT (2100° High Temperature) standards.

Specifications - see page 49



Iso-Caps

Specifically designed by Earthcore for the Isokern DM54 flue liner, the Iso-Cap has minimal installation. Sealed with silicone caulk, each Iso-Cap simply slides into or over the inner flue liner of the DM54 chimney.

AVAILABLE WITH TOP SEAL DAMPER



Shown here is Offset Blocks



Shown here is a Brick Ledge

Isokern Chimney Systems have vented over 465 million feet of chimney in North America.

The dual module design allows for more diverse, lightweight, masonry-type installations. Each component is built with tongue and groove construction with offset joints, enabling a tighter fit for maximum safety and consistent installation.

In addition, the DM Chimney System, with 100% zero-clearance to combustibles, makes it the easiest flue system to install.



ECO STEEL

The lightweight Venting Solution uses a locking-tab design, ensuring immediate and tight assembly. Using a 12 5/8" inner diameter and a 15 5/8" outer diameter, it is rated for any solid fuel Isokern Fireplace. This versatile system has been tested and approved for use with Isokern Standard and Magnum fireplaces in typical or Fire-Lite applications. Available in air-cooled (EcoSteel) or insulated (EcoSteel+).



NEW
Square Termination
13ACECOSQ

Can be used with the EcoSteel air-cooled or insulated chimney systems.

EcoSteel vs. EcoSteel+ The Difference?

EcoSteel is an air-cooled chimney system with a stainless inner and galvanized outer.

EcoSteel+ is an insulated chimney system that is ideal for coastal areas, commercial applications, and venting that includes a mechanical chimney fan. It has stainless steel inner and outer construction.



EcoSteel



Air-Cooled Chimney Flue

6" - 13ACECO6
12" - 13ACECO12
18" - 13ACECO18
36" - 13ACECO36
48" - 13ACECO48



Air-Cooled Anchor Plate

13ACECOAP



Air-Cooled Anchor Plate with Damper

13ACECOAPD



Air-Cooled 15 Offset

13ACECO15OS



Air-Cooled 30 Offset

13ACECO30OS

EcoSteel+



Insulated Chimney Flue
Stainless Steel

6" - 13INECO6
12" - 13INECO12
18" - 13INECO18
36" - 13INECO36
48" - 13INECO48



Insulated Anchor Plate
Stainless Steel

13INECOAP



Insulated Anchor Plate with Damper
Stainless Steel

13INECOAPD



Insulated 15 Offset
Stainless Steel

13INECO15OS



Insulated 30 Offset
Stainless Steel

13INECO30OS

EcoSteel & EcoSteel+



Round Chimney Cap
Stainless Steel
13ACECOCC



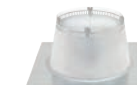
Chase Flashing
13ACECOFC



Rain Cap for Shroud Installation
13ACECORC



Wall Band
13ACECOWB



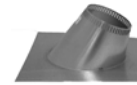
Tall Cone Flashing
13ACECOFT



Support Band
13ACECOSB



Storm Collar
13ACECOSC



1/12 to 5/12 Flashing
13ACEOF



Firestop Assembly
13ACECOFS



Attic Insulation Shield
13ACECOIS



Adjustable Support
13ACECOAS



6/12 to 10/12 Flashing
13ACEOF10

MECHANICAL VENTING



48" Custom See-Thru RS Chimney Fan
Omni Hotel Lobby
Fort Worth, TX

Multi-Venting Solutions

A gas-fired fireplace creates a flame that's just the right size: not too high, not too low. But to achieve the perfect fire, you need the perfect draft. That's why Isokern and Enervex, two leaders in the fireplace and venting industries, have teamed up to develop the Multi-story Fireplace Exhaust System (MFES). With this innovative technology, a single exhaust system can vent multiple gas-fired fireplaces in a single chimney. This means that up to 25 gas fireplaces or 12 fireplaces of solid fuel can achieve an optimal draft — regardless of how many fires are burning simultaneously.

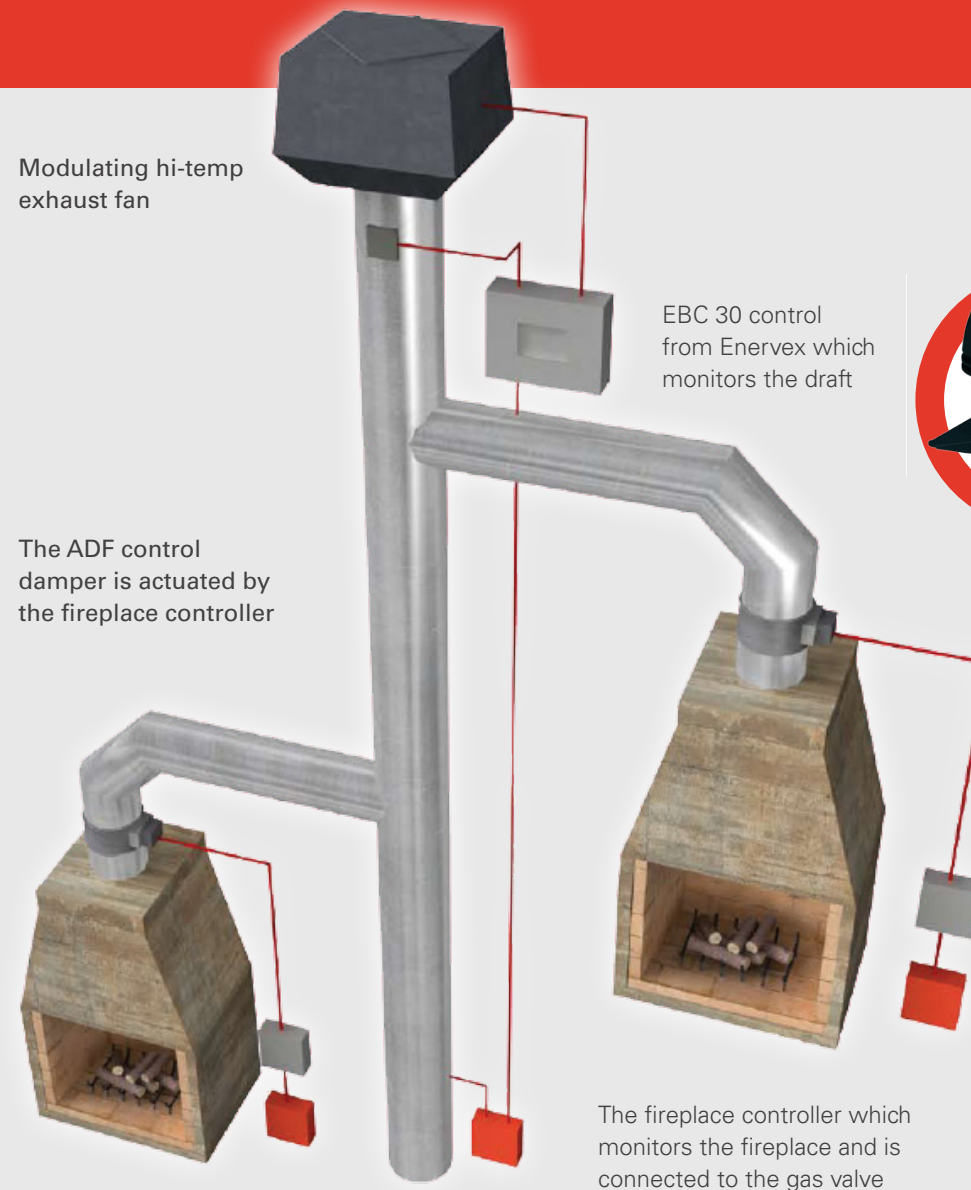
Fireplaces usually require individual chimneys. But in multi-story condominiums and apartments, this can greatly impact space allocation and increase costs. The MFES solution, however, allows a single chimney to accommodate multiple fireplaces, eliminating the space constraint while keeping construction budgets manageable.

The MFES is unique in that it monitors the operation of multiple fireplaces in multi-story buildings. Fireplaces are monitored through an integrated electronic system, allowing each unit to operate individually. With a system engineered and installed by Enervex, and fireplaces supplied by Isokern, a multi-vented system for multi-family housing is now more cost-efficient and reliable than ever.

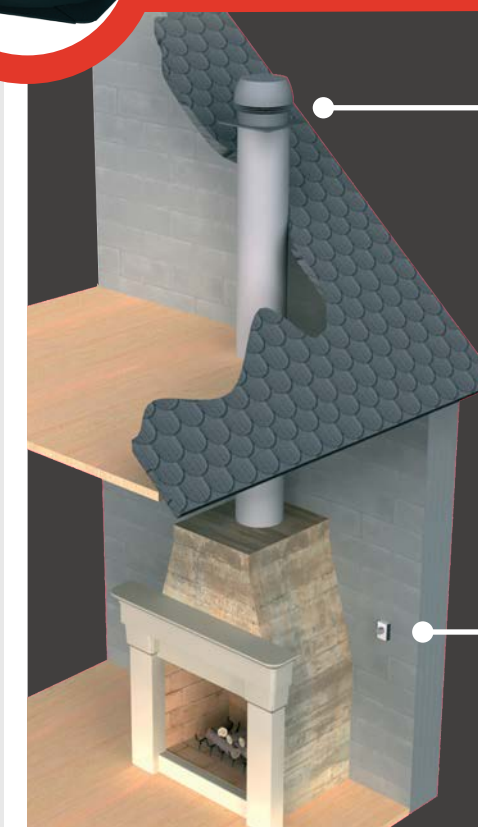
Intellidraft Venting Solution

Maintaining proper and safe draft conditions for the fireplace while providing combustion air are massive challenges in today's tight construction. Now, you can set new standards in fireplace safety and energy savings for your gas fireplace or other gas-fired decorative appliances. Meet Intellidraft, ENERVEX's Modulating Fireplace Draft and Safety System.

IntelliDraft is an economical, environmentally friendly, intelligent draft solution that quietly maintains perfect draft for fireplaces while keeping homes from chimney downdraft and fireplace spillage. It is the first completely automated venting control system for use with gas fireplaces and is ideal for single family dwellings.



Mechanical Fan



The Enervex RS/RSHT Chimney Fans are mounted on top of the chimney, leaving little to no mess during installation.

The fan comes with speed control. You should mount the fan speed control in the room with the fireplace so you can adjust the speed (and draft) from there.

EM40

Mono Flue Chimney System

Our 16" Diameter EM 40 Universal Flue is the largest insulating masonry chimney available. With proprietary "Air-Vent" technology, it will not crack like cheaper concrete alternatives. Used exclusively for outdoor applications, it requires a 2" clearance to combustible materials.



Isokern Accessories

EM 40 Mono Flue Cap



Specifically designed for the Isokern 16" EM mono flue, this stainless cap is easily installed. This cap slides on top of the em-40 mono flue.



Cast Iron Damper



This cast iron damper is designed to sit in the throat of the Isokern fireplace and can be opened and closed with the poker control. Sizes available: 33", 42", 60", & 72".

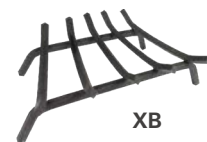


Sealed Cast Iron Throat Damper

This improved product complies with Air Quality Management regulations supplied with an air-tight high temperature fiberglass gasket as opposed to loose-fitted glass doors. This damper utilizes a high temperature fiberglass gasket to prevent down drafts in a closed position. Sizes available: 33" & 42".

Bottom Mount Damper

The bottom mount damper is a proprietary design to be used when a conventional poker or top-mount damper is not feasible. Great with see-through applications, this type of damper can be paired with either the DM54 or steel chimney systems.



XB



HL

Cast Iron Grates

Our cast iron grates hold wood logs for proper ventilation, maximizing the burn of your solid fuels.

XB SIZES AVAILABLE: 24", 30", 36"
HL SIZES AVAILABLE: 23", 27"

Outside Air Kit

The outside air inlet allows fresh air into the firebox to improve drafting performance. (It does not guarantee perfect drafting in air-tight homes.) These kits come in stainless and black slide doors, 4" inch diameter UL tubing with stainless termination.



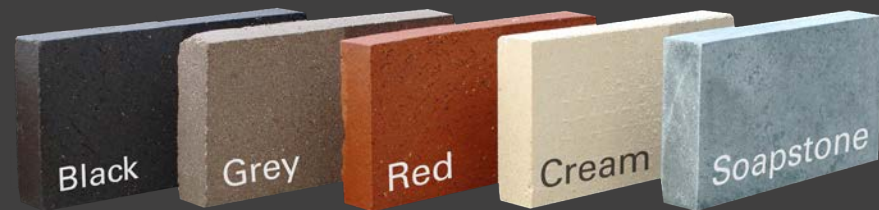
Earthcore Adhesive



The earthcore adhesive is a proprietary thin set, which is used in all Isokern component installations. It also can be used for porcelain ceramic tile and fabricated or cast stone products. See installation manual for the required amount of adhesive for each fireplace. One 5 gallon pail per 10'-12' of DM54 masonry chimney.

FIREBRICK

Make your fireplace a part of your home's decor with Isokern's Firebrick options. Typically made of fire clay or siliceous material, our Firebrick is a refractory brick, capable of sustaining intense heat without fusion. And since it's not prone to expansion or contraction, this material helps minimize cracking under extreme heating conditions. Coloration and size varies slightly.

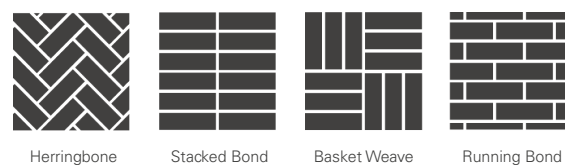


ISOSET Firebrick Mortar

Isoset Brick Mortar, a thinset masonry adhesive, can be used in either interiors or exteriors for installing firebrick. It is the specified firebrick mortar to be used in all Isokern fireplaces. Isoset is available in 50lb buckets. Approximately 50lbs of prepared mortar will lay firebrick for fireplaces up to 48".

Firebrick Sizes

- Fulls: 9" x 4-1/2" x 2-1/2"
 - Splits: 9" x 4-1/2" x 1-1/4"
 - Soaps: 9" x 2-1/4" x 1-1/4"*
- *Red & Cream Firebrick ONLY*



Vent-Free Log Sets

Lively flames and a large ember bed highlight the handcrafted logs, adding efficient heat and unmatched beauty to your fireplace. Featuring either an Indoor (Black) or Outdoor (Stainless) burner with three log set options: Weathered Oak, Red Oak, and Split Oak.

Available Sizes: 24" & 30"

Decorative Unvented Gas Appliance
40K BTU's or less



Weathered Oak



Red Oak



Split Oak

Vented Log Sets

The Isoflames three tiered burner system creates high and full bodied flames. Featuring an Indoor (Black) burner with four log set options: Arizona Weathered Oak, Arizona Weathered Oak Charred, Western Driftwood, and Quaking Aspen.

Available Sizes: 24", 36"

Special Order Sizes: 30", 42" & 48"

**Special Order*



Arizona Weathered Oak



Western Driftwood*

Decorative Gas Appliance
65K- 150K BTU's



Arizona Weathered Oak Charred



Quaking Aspen*

ISOFLAMES

Take your fireplace's flames to new heights with Isokern's Isoflame Log Sets. Our Vented and Vent-free Gas Log Sets have lively flames and large ember beds to highlight our remarkable craftsmanship. With efficient heat and unmatched beauty, each log set is available with an adjustable flame height remote control and electronic ignition.

Jumbo Slimline Vented Log Set

Arizona Weathered Oak only.

Special Order Sizes: 24", 30", 36", 42", 48" & 60"

Magnum Fireplaces **ONLY**
150K+ BTU's

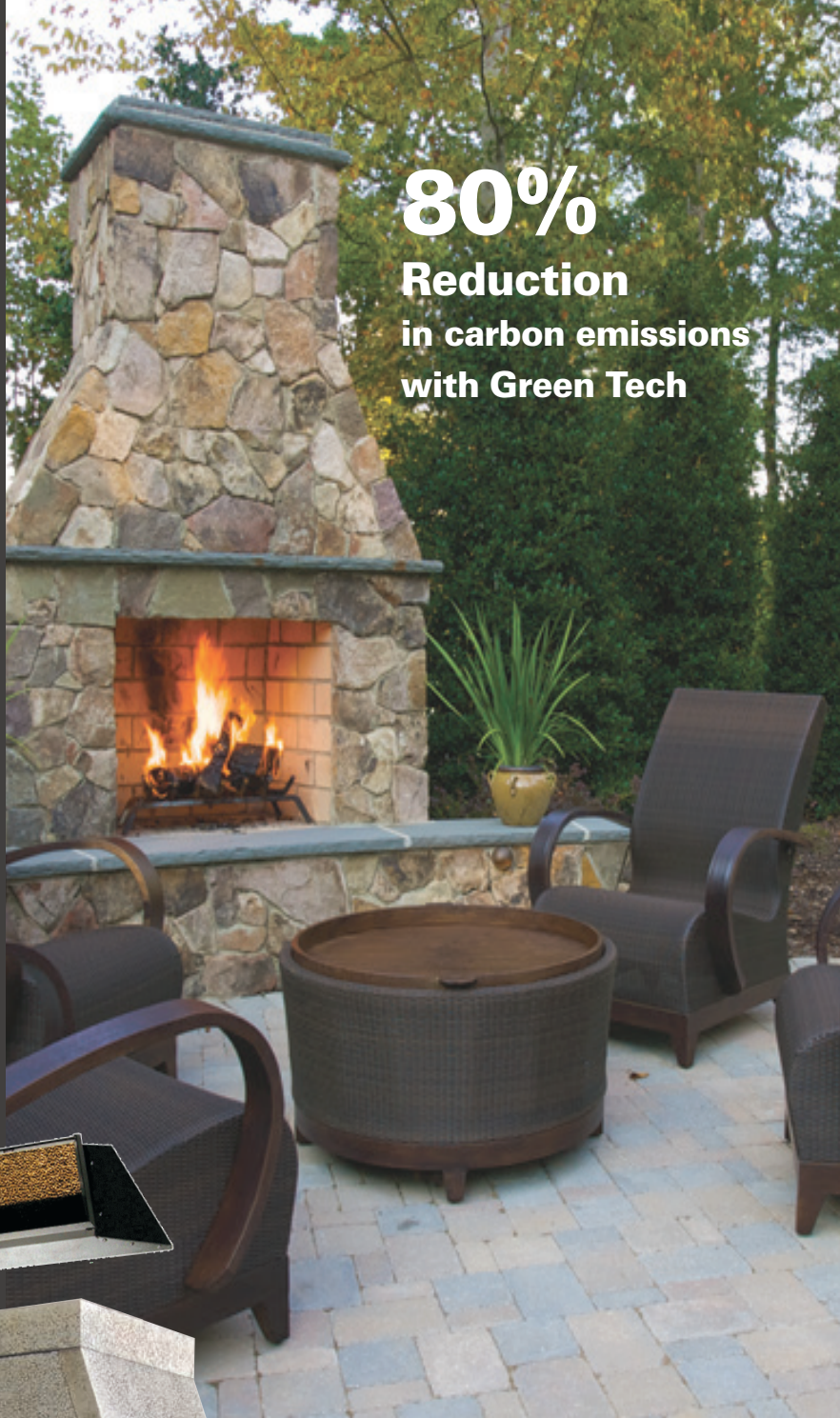
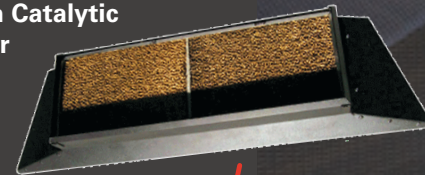


GREEN TECH

Enjoy the warmth of a wood burning fire while contributing to a cleaner environment. The Green Tech Solution by Earthcore can be easily installed in a matter of minutes and reduce particulate emissions by up to 80%. While your fireplace is in use, the direct flame cleans the Green Tech Catalytic Combustor, resulting in a maintenance free solution for cleaner air in and outside of your home. This exclusive Earthcore catalytic combustor can be added to any Isokern Magnum or Standard Series fireplace.

- EPA Phase II qualified
- Reduces emission particulates by 80%
- Rated for both solid fuel and gas fireplaces
- Available for all Standard and Magnum Fireplaces

Green Tech Catalytic Combustor



80%
Reduction
in carbon emissions
with Green Tech



The Green Tech series was designed exclusively for Isokern fireplaces and is also made to retrofit into any masonry fireplace. This easy-to-install design takes the environment into consideration while still enjoying your wood burning fireplace.



FIRE-LITE

Have the wonderful ambiance of fire anywhere in your home with Isokern's Fire-Lite Application. Both the Isokern Magnum and Standard Series can be placed directly on a combustible floor or recessed into any combustible floor system. This is a UL tested and listed application. Details are available on our website.

Eco-Steel Chimney



Eco-Steel Anchor Plate



*** For installing Isokern Standard or Magnum Fireplaces on combustible flooring**

Fire-Lite Stand

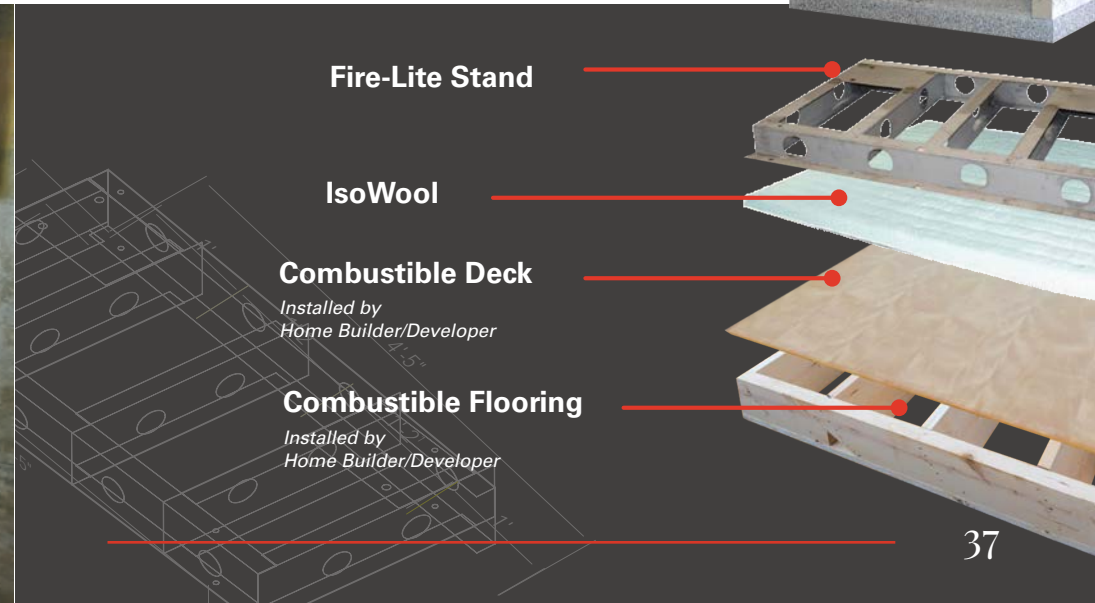
IsoWool

Combustible Deck

Installed by Home Builder/Developer

Combustible Flooring

Installed by Home Builder/Developer



CHIMNEY POTS

Elemental

Give your venting style with Isokern's Elemental Chimney Pots. Our decorative steel pots have all the appeal of the popular traditional clay pots at a fraction of the weight and cost. Earthcore's decorative steel pots are fashioned from 24" gauge, colored, Kynar steel. They are available in five standard colors and come with a 20-year warranty.



European Copper

Give your fireplace the finishing touch it deserves with Isokern's European Copper Chimney Pots. The patented chimney pots meet the highest technical standards through its UL listing and compliance with International Building Codes. The European Copper chimney pots are unique in that they are compatible with both masonry and metal flue, giving you more options and consistent quality.



King

Weight 36 lbs | Height 48" | Base 24"



Queen

Weight 26 lbs | Height 41" | Base 20"



Knight I

Weight 36 lbs | Height 44" | Base 21"



Knight II

Weight 20 lbs | Height 38" | Base 16"



Bishop I

Weight 47 lbs | Height 52" | Base 26"



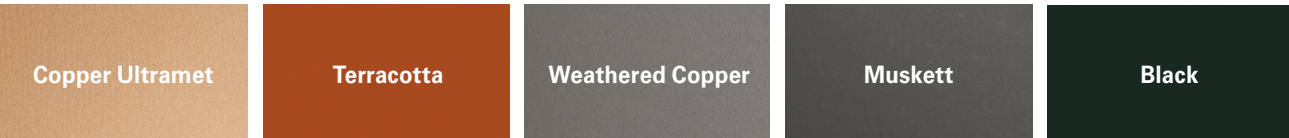
Bishop II

Weight 36 lbs | Height 39" | Base 20"



Pawn

Weight 17 lbs | Height 25" | Base 20"



Glasgow	Ontario	Portsmouth	Dorchester
Copper Ultramet: ROU-2832-CU	Copper Ultramet: SQOCT-2138-CU	Copper Ultramet: OCT-2136-CU	Copper Ultramet: SQ-2326-CU
Terracotta: ROU-2832-TC	Terracotta: SQOCT-2138-TC	Terracotta: OCT-2136-TC	Terracotta: SQ-2326-TC
Weathered Copper: ROU-2832-WC	Weathered Copper: SQOCT-2138-WC	Weathered Copper: OCT-2136-WC	Weathered Copper: SQ-2326-WC
Muskett: ROU-2832-MU	Muskett: SQOCT-2138-MU	Muskett: OCT-2136-MU	Muskett: SQ-2326-MU
Black: ROU-2832-BK	Black: SQOCT-2138-BK	Black: OCT-2136-BK	Black: SQ-2326-BK
46 lbs 32" H 28" ID	37 lbs 38" H 21" ID	37 lbs 36" H 21" ID	46 lbs 26" H 23" ID



OUTDOOR LIVING

Kitchens, Pizza Oven, Fireplaces & more

The possibilities are limitless when it comes to building your outdoor dream kitchen with our Isopanel. We streamlined the construction of building an outdoor kitchen for quick assembly using our panels and clip system.

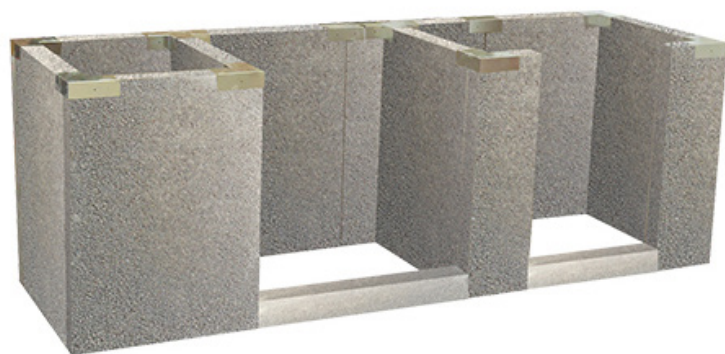


as seen on
PROPERTY BROTHERS

ISOPANELS

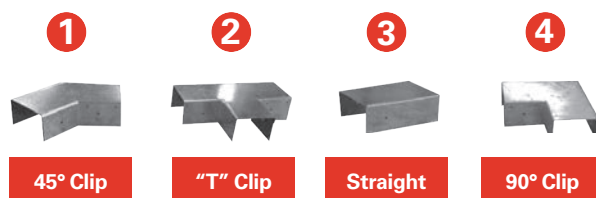
Isokern Panels Components

Each panel weighs only 100 lbs, so they're easily moved when assembling your new outdoor kitchen components.



Clip Styles

Use: Slide the appropriate clip over the junction of 2 adjacent panels for holding them together while the mortar is applied.



Saffire Kamado Grill

Saffire Grills takes an innovative step forward for Kamados, with the patented Smokin' Chip Feeder Port and Crucible Firebox, plus extra thick, kiln-fired ceramics and heavy-duty hardware. The Saffire is the perfect addition to any Isokern outdoor kitchen design.



ISO'VEN

The user-friendly, remarkably affordable, outdoor wood burning pizza oven is made from our exclusive volcanic material. Created for easy installation, the Iso'ven Wood Burning Pizza Oven comes with everything you need to get started, including an accessory package of helpful cooking tools.



Includes

1. Utility Tong
2. (2) 12" Pizza Screens
3. 26" Pizza Peel
4. Coal Rake
5. Grill Glove

Optional Storage Base

The ideal companion for your Iso'ven Wood Burning Pizza Oven — our Optional Storage Base. It allows you to choose the height of your Iso'ven in relation to the rest of your outdoor kitchen or living space. Installed as-is, with no customization, our Iso'ven base is the perfect height to pair with one of our Isokern outdoor fireplaces.



Oven Hood

Following the classic approach of traditional wood burning ovens, the Iso'ven is designed to vent through the front. But at Earthcore, we believe customization creates satisfaction. So, if you prefer a flue, we now offer a hood for the Iso'ven, giving you the freedom to finish it in your own personal style.



OUTDOOR BURNER

Available Sizes: 21" Square • 50" Linear

Earthcore is proud to announce a brand new product: ISOFLAMES Outdoor Burners are now available! Constructed of 100% stainless steel and available in two sizes, they are designed to withstand weather without warping or rusting, making them the perfect accent for your fire table. The Isoflames Burner includes Vesper Black glass media and key valve with propane tank connection.

OUTDOOR ONLY



48" Magnum
Homewood Suites
Guest Lounge
Wilmington, DE



60" Magnum
Urban Stillhouse
Restaurant & Lounge
St. Petersburg, FL

COMMERCIAL PROJECTS

Earthcore not only lives in the residential space but also finds its way onto many different commercial projects, from a 33' custom linear fireplace in a wine depository to hotel lobbies and restaurant dining areas. Our commercial division has been awarded numerous projects across America, and our teams adapt to customers' needs in a timely, cost effective manner. With our innovative and collaborative expertise, we offer unparalleled quality to make every project a success.



Custom 33ft Maximus Linear
Balthazar Cellars
Wine Depository
Houston, TX



48" Magnum
Line Hotel
Austin, TX



Custom 4-Sided
Private Residence
Orlando, FL



60" Magnum
Chateau Elan
Hotel Lobby
Braselton, GA



28" Magnum
Jeffreys
Restaurant
Austin, TX



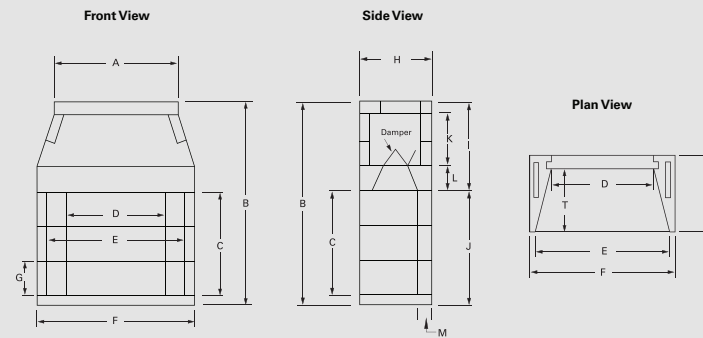
72" Magnum
Private Residence
Alys Beach, FL

SPECIFICATIONS

Fireplace Dimensions & Measurements

Standard

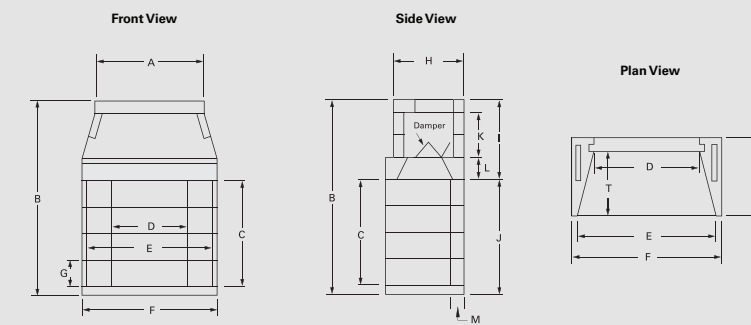
Framing & Weight			
Model	Part Number	Minimum Framing	Weight
36	80536	(46" w) x (65" h) x (26 3/4" d)	1205 lbs
42	80542	(52" w) x (65" h) x (26 3/4" d)	1325 lbs
46	80546	(56" w) x (65" h) x (26 3/4" d)	1450 lbs



Measurements	Model	A	B	C	D	E	F	G	H	I	J	K	L	M	S	T
	36	33"	63 1/4"	31 1/2"	27 1/4"	37 1/8"	43"	10 1/2"	25 1/4"	28 3/4"	34 1/2"	16"	8"	5"	25 1/4"	20 1/4"
	42	33"	63 1/4"	31 1/2"	33 1/4"	43 1/8"	49"	10 1/2"	25 1/4"	28 3/4"	34 1/2"	16"	8"	5"	25 1/4"	20 1/4"
	46	33"	63 1/4"	31 1/2"	37 1/4"	47 1/8"	53"	10 1/2"	25 1/4"	28 3/4"	34 1/2"	16"	8"	5"	25 1/4"	20 1/4"

Magnum

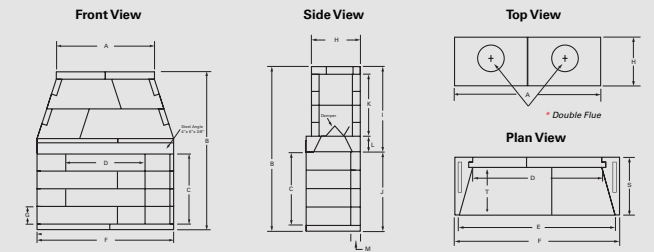
Framing & Weight			
Model	Part Number	Minimum Framing	Weight
28	82028	(38 1/2" w) x (61 1/2" h) x (29 1/2" d)	1040 lbs
36	82036	(46" w) x (71" h) x (29 1/2" d)	1305 lbs
42	82042	(52" w) x (71" h) x (29 1/2" d)	1425 lbs
48	82048	(56" w) x (71" h) x (29 1/2" d)	1600 lbs



Measurements	Model	A	B	C	D	E	F	G	H	I	J	K	L	M	S	T
	28	22 1/4"	60 1/4"	28 1/2"	19 3/4"	31"	35 1/2"	9 1/2"	25 1/4"	28 3/4"	31 1/2"	16"	8"	5"	28"	23"
	36	33"	69 3/4"	38"	27 1/4"	38 3/4"	43"	9 1/2"	25 1/4"	28 3/4"	41"	16"	8"	5"	28"	23"
	42	33"	69 3/4"	38"	33 1/4"	44 1/2"	49"	9 1/2"	25 1/4"	28 3/4"	41"	16"	8"	5"	28"	23"
	48	43"	69 3/4"	38"	37 1/4"	48 1/2"	53"	9 1/2"	25 1/4"	28 3/4"	41"	16"	8"	5"	28"	23"

Magnum

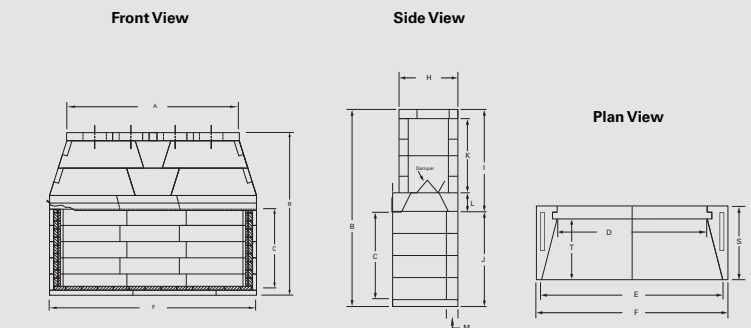
Framing & Weight			
Model	Part Number	Minimum Framing	Weight
60	82060	(76 1/2" w) x (87 1/4" h) x (29 1/2" d)	2652 lbs
72	82072	(88 7/8" w) x (87 1/4" h) x (29 1/2" d)	2952 lbs



Measurements	Model	A	B	C	D	E	F	G	H	I	J	K	L	M	S	T
	60	53 1/2"	85 3/4"	38"	57 1/4"	69"	73 1/2"	9 1/2"	25 1/4"	28 3/4"	44 3/4"	32"	8"	5"	28"	23"
	72	66"	85 3/4"	38"	69 1/4"	81 1/4"	85 1/2"	9 1/2"	25 1/4"	28 3/4"	44 3/4"	32"	8"	5"	28"	23"

Magnum +

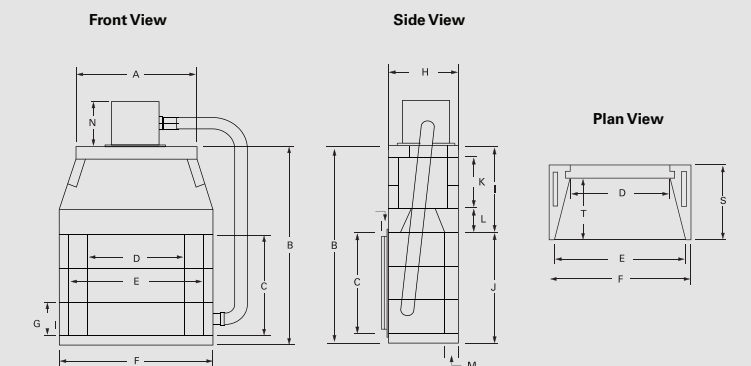
Framing & Weight			
Model	Part Number	Minimum Framing	Weight
84	82084	(99" w) x (97" h) x (29 1/2" d)	1040 lbs
96	82096	(111 1/2" w) x (97" h) x (29 1/2" d)	1305 lbs
108	82108	(123 1/2" w) x (97" h) x (29 1/2" d)	1425 lbs
120	82120	(135" w) x (97" h) x (29 1/2" d)	1600 lbs



Measurements	Model	A	B	C	D	E	F	H	I	J	K	L	M	S	T
	84	74 11/16"	94 1/2"	47 1/16"	83 1/16"	91 1/16"	95 11/16"	25 1/4"	44 3/4"	50 1/2"	32"	8"	5"	28"	23"
	96	88 1/16"	93 11/16"	47 1/16"	95 5/8"	103 5/8"	108 3/16"	25 1/4"	44 3/4"	50 1/2"	32"	8"	5"	28"	23"
	108	100 3/16"	94 1/2"	47 1/16"	107 5/8"	115 5/8"	120 3/16"	25 1/4"	44 3/4"	50 1/2"	32"	8"	5"	28"	23"
	120	111 5/8"	94 1/2"	47 1/16"	119 1/8"	127 1/8"	131 3/4"	25 1/4"	44 3/4"	50 1/2"	32"	8"	5"	28"	23"

Maximus

Framing & Weight			
Model	Part Number	Minimum Framing	Weight
46	80D46	(56" w) x (65" h) x (26 3/4" d)	1450 lbs
48	82D48	(56" w) x (71" h) x (29 1/2" d)	1600 lbs



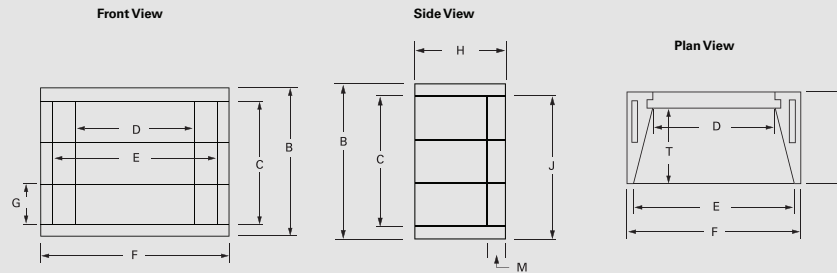
Measurements	Model	A	B	C	D	E	F	G	H	I	J	K	L	M	S	T
	46	43"	63 1/4"	31 1/2"	37 1/4"	47 1/8"	53"	10 1/2"	25 1/4"	28 3/4"	34 1/2"	16"	8"	5"	25 1/4"	20 1/4"
	48	43"	69 3/4"	38"	37 1/4"	48 1/2"	53"	9 1/2"	28"	28 3/4"	41"	16"	8"	5"	28"	23"

SPECIFICATIONS

Fireplace Dimensions & Measurements

Vent-Free

Framing & Weight			
Model	Part Number	Minimum Framing	Weight
36	81036	(43" w) x (37 1/2" h) x (25 1/4" d)	715 lbs
42	81042	(49" w) x (37 1/2" h) x (25 1/4" d)	820 lbs
46	81046	(53" w) x (37 1/2" h) x (25 1/4" d)	880 lbs

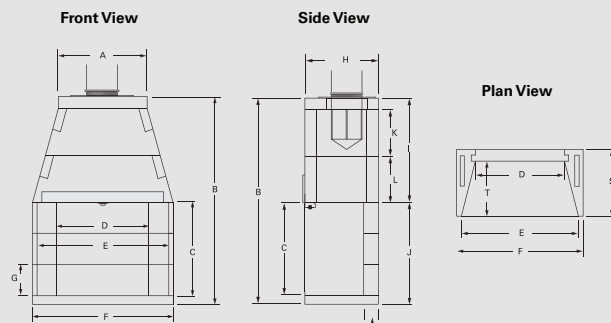


Measurements	Model	B	C	D	E	F	G	H	I	J	M	S	T
	36	37 1/2"	31 1/2"	27 1/4"	37 1/8"	43"	10 1/2"	25 1/4"	28 3/4"	34 1/2"	5"	25 1/4"	20 1/4"
42	37 1/2"	31 1/2"	33 1/4"	43 1/8"	49"	10 1/2"	25 1/4"	28 3/4"	34 1/2"	5"	25 1/4"	20 1/4"	
46	37 1/2"	31 1/2"	37 1/4"	47 1/8"	53"	10 1/2"	25 1/4"	28 3/4"	34 1/2"	5"	25 1/4"	20 1/4"	

Please Note: Zero clearance to combustible material.

Bvetto

Framing & Weight			
Model	Part Number	Minimum Framing	Weight
36	80B36	(44" w) x (71 1/4" h) x (26 3/4" d)	1500 lbs
46	80B46	(54" w) x (71 1/4" h) x (26 3/4" d)	1700 lbs

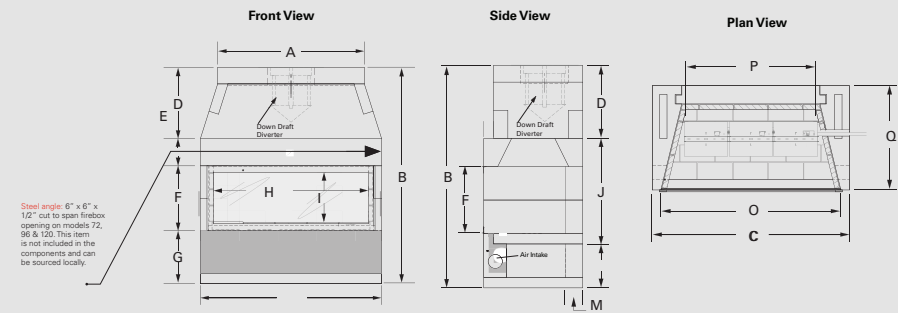


Please Note: Different height options are available for the Bvetto fireplace. One additional sidewall and two additional backwalls can be added to obtain an opening of 42" tall before brick is installed. Two additional backwalls and four additional sidewalls can be added to obtain an opening of 52 1/2" tall before brick is installed. Only Isoflames log sets can be used in this unit.

Measurements	Model	A	B	C	D	E	F	G	H	I	J	K	L	M	S	T
	36	22 1/2"	71 1/4"	31 1/2"	27 1/4"	36 1/8"	43"	10 1/2"	25 1/4"	36 3/4"	34 1/2"	16"	16"	5"	25 1/4"	20 1/4"
46	33 1/2"	71 1/4"	31 1/2"	37 1/4"	48 1/8"	53"	10 1/2"	25 1/4"	36 3/4"	34 1/2"	16"	16"	5"	25 1/4"	20 1/4"	

Maximus Linear Glass Front

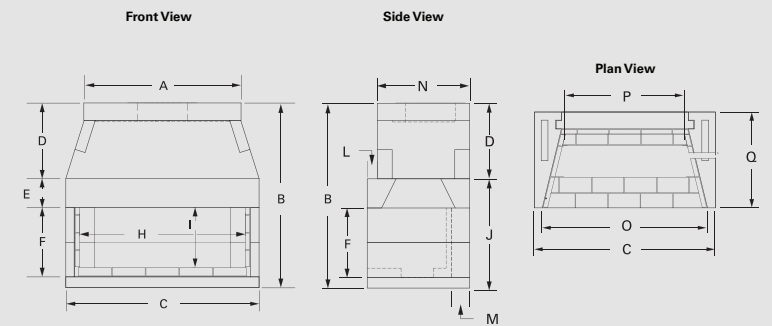
Framing & Weight		
Model	Part Number	Minimum Framing
48	82L48/GFK-48	(56" w) x (64 1/2" h) x (29 1/2" d)
72	82L72/GFK-72	(89" w) x (64 1/2" h) x (29 1/2" d)
96	82L96/GFK-96	(112" w) x (64 1/2" h) x (29 1/2" d)
120	82L120/GFK-120	(112" w) x (64 1/2" h) x (29 1/2" d)



Measurements	Model	A	B	C	D	E	F	H	I	J	M
	48	43"	62 7/8"	52 3/4"	20 5/8"	8"	18 7/8"	45 3/16"	15"	29 7/8"	5"
72	76"	62 7/8"	85 13/16"	20 5/8"	8"	18 7/8"	78 1/4"	16 5/8"	29 7/8"	5"	
96	99 1/4"	62 7/8"	109"	20 5/8"	8"	18 7/8"	100 5/8"	16 5/8"	29 7/8"	5"	
120	122 1/4"	62 7/8"	132"	20 5/8"	8"	18 7/8"	124 1/8"	16 5/8"	29 7/8"	5"	

Maximus Linear Open Front

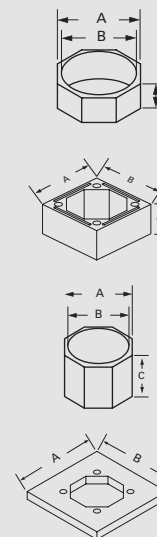
Framing & Weight		
Model	Part Number	Minimum Framing
48	82L48	(56" w) x (64 1/2" h) x (29 1/2" d)
72	82L72	(89" w) x (64 1/2" h) x (29 1/2" d)
96	82L96	(112" w) x (64 1/2" h) x (29 1/2" d)
120	82L120	(112" w) x (64 1/2" h) x (29 1/2" d)



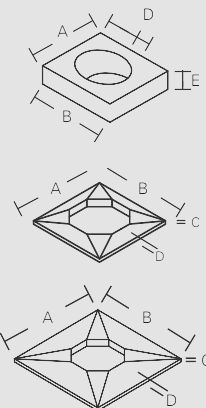
Measurements	Model	A	B	C	D	E	F	H	I	J	M
	48	43"	51"	52 3/4"	20 5/8"	8"	18 7/8"	45 3/16"	16 3/8"	45 3/16"	5"
72	76"	51"	85 13/16"	20 5/8"	8"	18 7/8"	78 1/4"	16 3/8"	78 1/4"	5"	
96	99 1/4"	51"	109"	20 5/8"	8"	18 7/8"	100 5/8"	16 3/8"	100 5/8"	5"	
120	122 1/4"	51"	132"	20 5/8"	8"	18 7/8"	124 1/8"	16 3/8"	124 1/8"	5"	

DM54

Parts	A	B	C
Starter Block	16 1/2"	13.5"	6"
Outer Casting	21 1/2"	21 1/2"	12"
Inner Flue	16 1/2"	13.5"	12"
Brickledge	31 1/2"	31 1/2"	3"



Parts	A	B	C	D	E
Offset Block	21 1/2"	25"	11"	3"	6"
Small Crown Cap	26 1/4"	26 1/4"	1 1/4"	3"	
Large Crown Cap	37 1/2"	37 1/2"	1 1/4"	3"	



Please Note: The DM54 Chimney system is zero clearance to combustible materials. Offset Blocks offer the ability to move a vertical chimney from side to side, allowing it to pass objects above the firebox. Offset blocks require 1 1/2" clearance to combustible material. "Combustibles" are defined as "normal construction materials" and are considered to be: wood framing materials, particle board, mill board, plywood sub-flooring, plywood paneling and wood flooring.

SPECIFICATIONS

Firebrick Sizes & Dimensions

*** Please Note:**

4" firebrick must be used on the side walls of these units. For the Magnum 60 & 72 models, you will need 60 additional full or split firebricks. To achieve this for the Magnum+ models, you will need 70 additional full or split firebricks.



Standard

Measurements	36	42	46
R Full/Split: 100 H Full/Split: 120	R Full/Split: 100 H Full/Split: 120	R Full/Split: 100 H Full/Split: 120	
R Soaps: 200 H Soaps: 240	R Soaps: 200 H Soaps: 240	R Soaps: 200 H Soaps: 240	



Magnum

Measurements	28	36	42	48	*60	*72
R Full/Split: 100 H Full/Split: 120	R Full/Split: 100 H Full/Split: 140	R Full/Split: 120 H Full/Split: 140	R Full/Split: 130 H Full/Split: 150	R Full: 60 & Split: 160	R Full: 60 & Split: 180	
R Soaps: 200 H Soaps: 240	R Soaps: 240 H Soaps: 280	R Soaps: 240 H Soaps: 280	R Soaps: 260 H Soaps: 300	H Full: 60 & Split: 180	H Full: 60 & Split: 200	

Magnum +

Measurements	*84	*96	*108	*120
R Full: 220 & Split: 70	R Full: 250 & Split: 70	R Full: 270 & Split: 70	R Full: 290 & Split: 70	
H Full: 240 & Split: 70	H Full: 270 & Split: 70	H Full: 300 & Split: 70	H Full: 320 & Split: 70	



Maximus

Measurements	46	48
R Full/Split: 100 H Full/Split: 120	R Full/Split: 130 H Full/Split: 150	
R Soaps: 200 H Soaps: 240	R Soaps: 260 H Soaps: 300	



Available Colors



Pattern Guide



* Please Note:
H: Herringbone
R: Running Bond

Maximus Linear

Measurements	48	72	96	120
R Full: 20 & Split: 50	R Full: 30 & Split: 60	R Full: 40 & Split: 70	R Full: 50 & Split: 80	
H Full: 20 & Split: 60	H Full: 30 & Split: 75	H Full: 40 & Split: 80	H Full: 50 & Split: 100	



Bvetto

Measurements	36	46	per extension
R Full/Split: 100 H Full/Split: 120	R Full/Split: 100 H Full/Split: 120	R Full/Split: 20 H Full/Split: 25	
R Soaps: 200 H Soaps: 240	R Soaps: 200 H Soaps: 240	R Soaps: 40 H Soaps: 50	



Vent-Free

Measurements	36	42	46
R Full/Split: 100 H Full/Split: 120	R Full/Split: 100 H Full/Split: 120	R Full/Split: 100 H Full/Split: 120	
R Soaps: 200 H Soaps: 240	R Soaps: 200 H Soaps: 240	R Soaps: 200 H Soaps: 240	





Jacksonville, FL

Corporate / Branch Office
6899 Phillips Industrial Blvd.
Jacksonville, FL 32256
904-363-3417

Chesapeake, VA
Manufacturing / Distribution

4000 Holland Blvd.
Chesapeake, VA 23323

Corona, CA
Warehouse / Distribution

620 W Rincon Street
Corona, CA 92880
951-738-9702

Dallas, TX
Distribution / Branch Office

2128 Crown Road
Dallas, TX 75229
972-247-2311

Branch Offices

Atlanta, GA

Houston, TX

Charlotte, NC

Camarillo, CA

Austin, TX

Phoenix, AZ

1.800.642.2920

earthcore.com

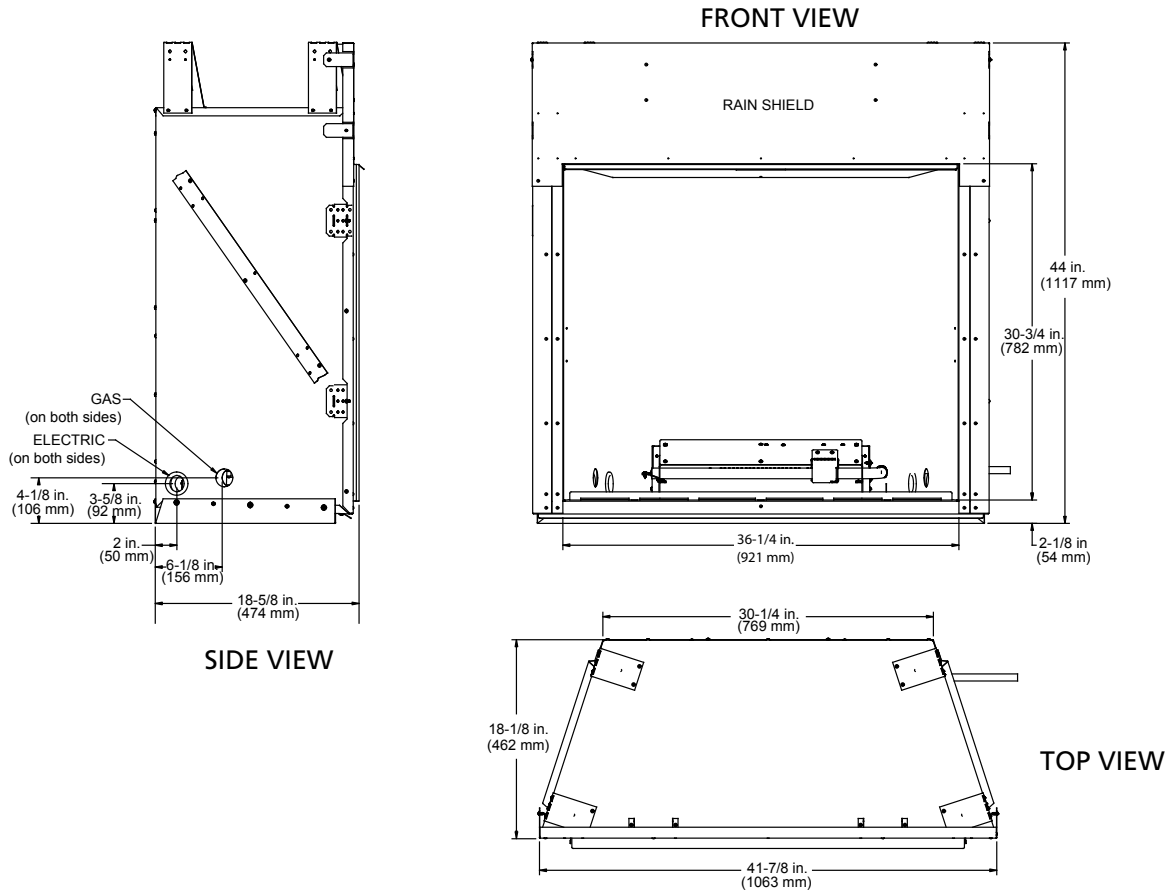


Please consult the manufacturer's installation manual for all details and requirements before making a final design layout decision.

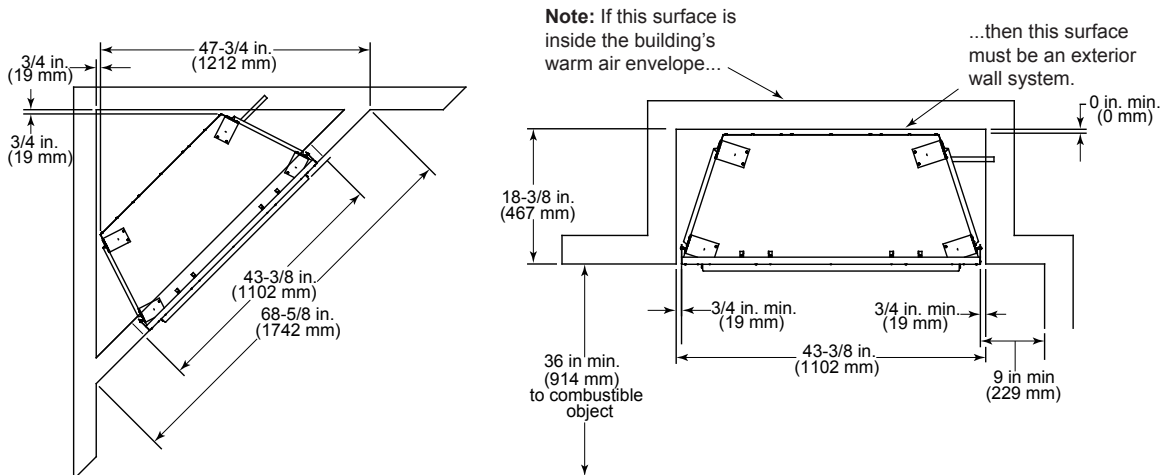
Courtyard 36

Outdoor Gas Fireplace

MODEL	FRONT WIDTH		BACK WIDTH		HEIGHT		DEPTH		VIEWING AREA
	Actual	Framing	Actual	Framing	Actual	Framing	Actual	Framing	
ODCOUG-36	41-7/8" (1063mm)	43-3/8" (1102mm)	30-1/4" (769mm)	43-3/8" (1102mm)	44" (1117mm)	44-1/8" (1121mm)	18-1/8" (462mm)	18-3/8" (467mm)	36-1/4" x 30-3/4" (921mm x 782mm)

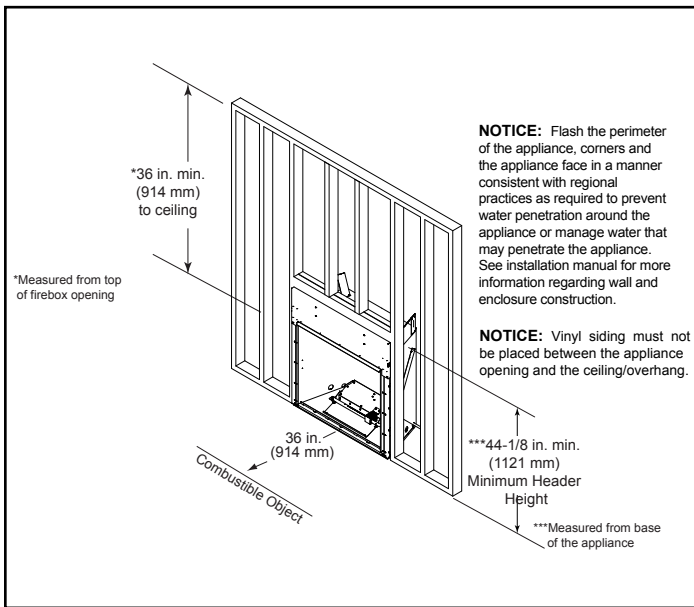


APPLIANCE LOCATIONS

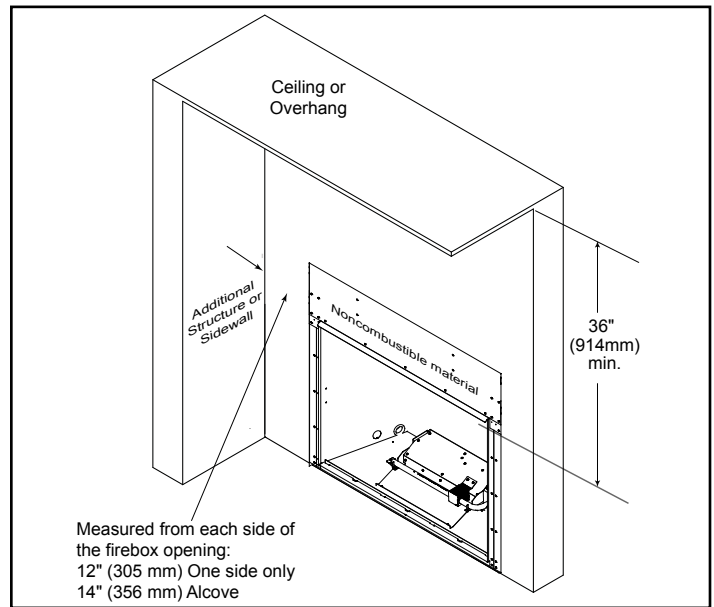


NOTICE: Illustrations reflect typical installations and are **FOR DESIGN PURPOSES ONLY**. Illustrations/diagrams are not drawn to scale. Actual installation may vary due to individual design preference.

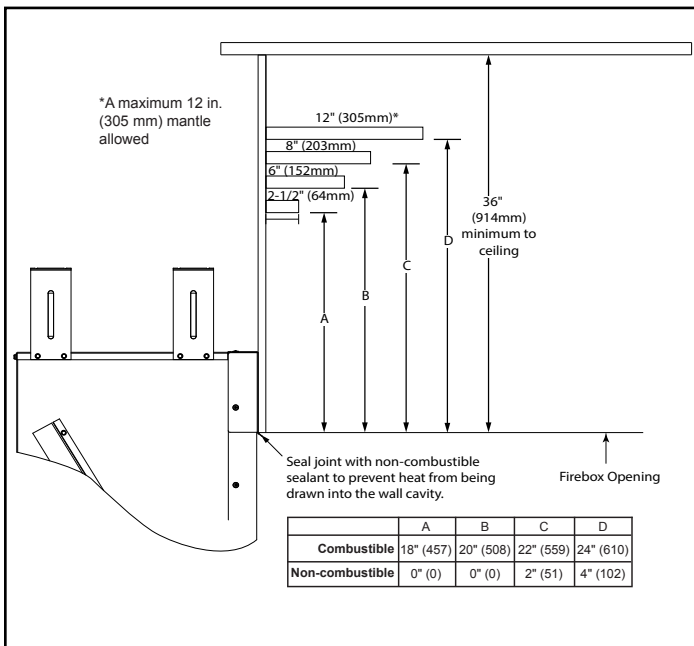
FRAMING DIMENSIONS



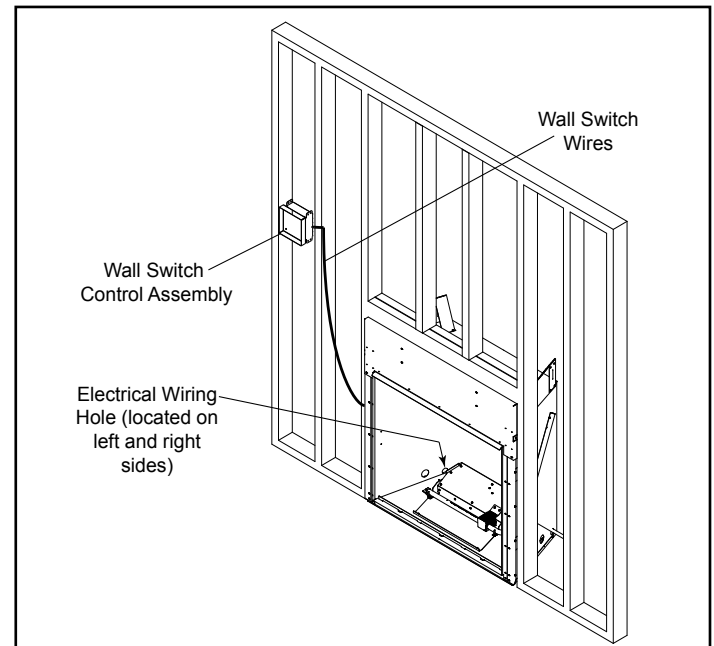
CLEARANCES TO COMBUSTIBLES



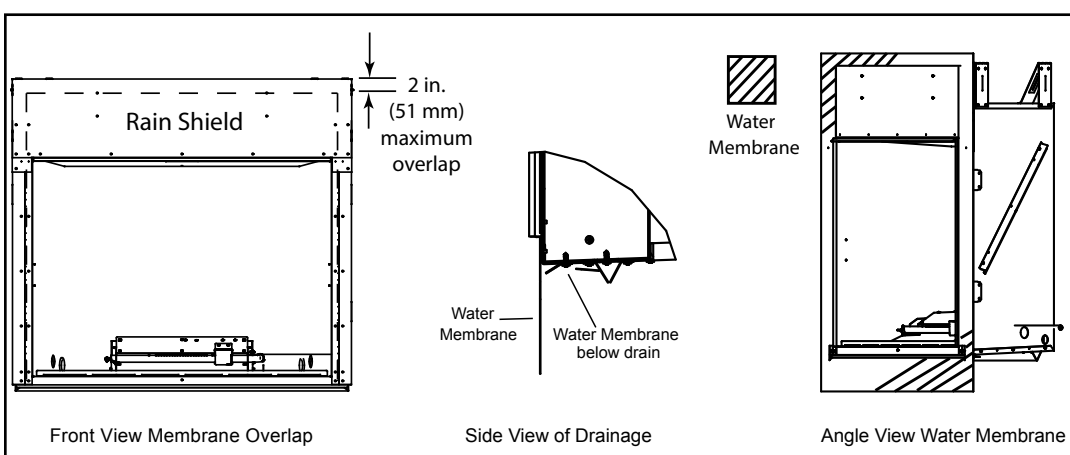
MANTEL PROJECTIONS



WALL SWITCH LOCATION



MOISTURE RESISTANCE



PRODUCT LISTING CODES	
US	ANSI Z21.97-2014
CAN	CSA 2.41-2014

Additional information can be found online at www.fireplaces.com.

Product information provided is not complete and is subject to change without notice. Product installation must adhere strictly to instructions accompanying product to avoid risk of fire and potential injury.